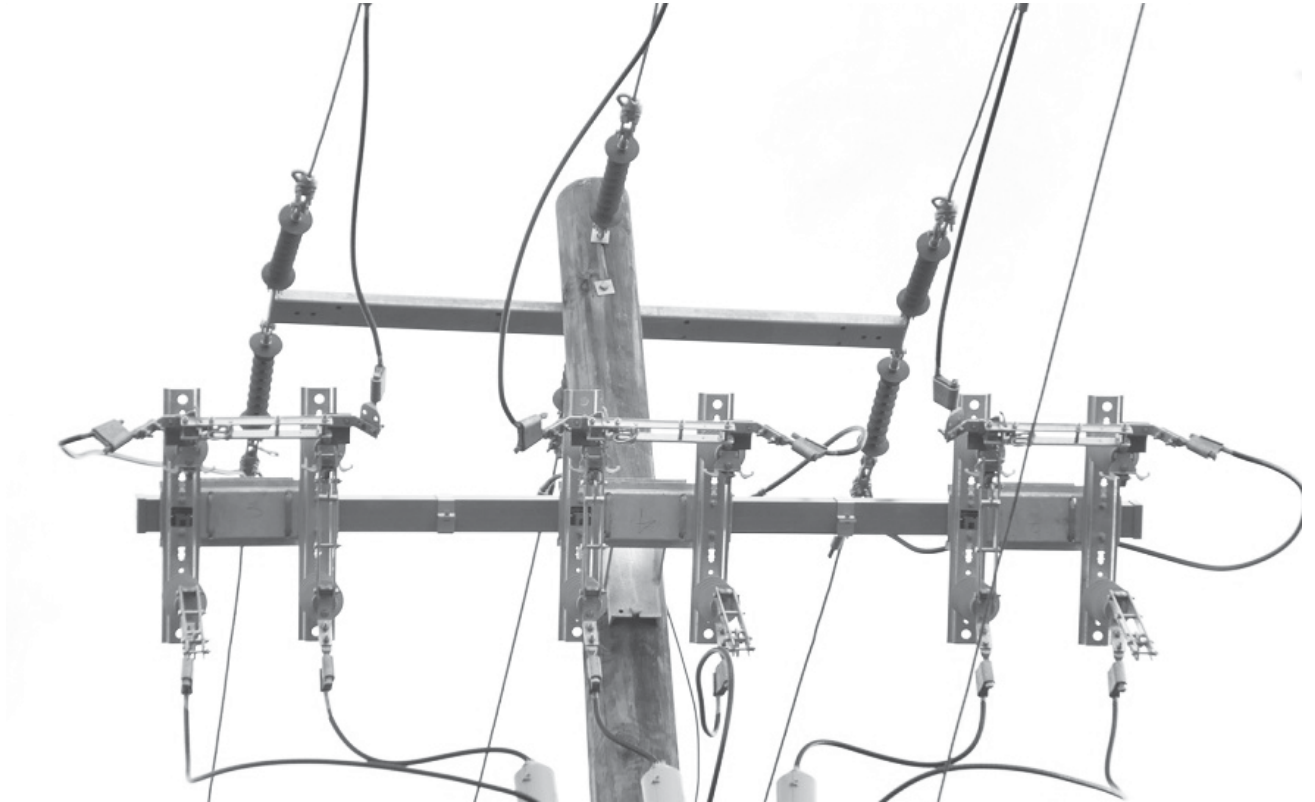


3D-73P three-phase bypass switch



Contents

Description	page
3D-73p bypass switch	2
Operation	3
Dimensions	4
Mounting bracket	5
Ordering information	6



Powering Business Worldwide

3D-73P disconnect switch

Eaton is now offering three of its D-73P polymer distribution-class disconnect switches pre-mounted on a fiberglass crossarm. Pre-mounting three switches on a shared cross arm allows for increased ease of installation, offering an economical way to bypass equipment in need of maintenance without service interruption while reducing a lineman's time in the field and decreasing labor costs.

Eaton's Cooper Power series 3D-73P offers a reliable solution for isolating equipment on distribution circuits up to 38 kV. These switches are quality constructed to ensure stable high current capability and full thermal capacity under the required duties of today's load and short circuit conditions.

Application

The 3D-73P three phase bypass switch incorporates the advanced design features of three D-73P hook-stick operated, single - phase bypass switches mounted on a single fiberglass crossarm to create an easy to install three-phase, switch.

The 3D-73P is available in voltage ratings of 15kV(110kV BIL), 27 (125 or 150kV BIL) and 38kV(150kVBIL) with a 600A or 900A continuous current rating. There are several additional options available allowing the switch to be configured to meet specific application needs.

Features and detailed description

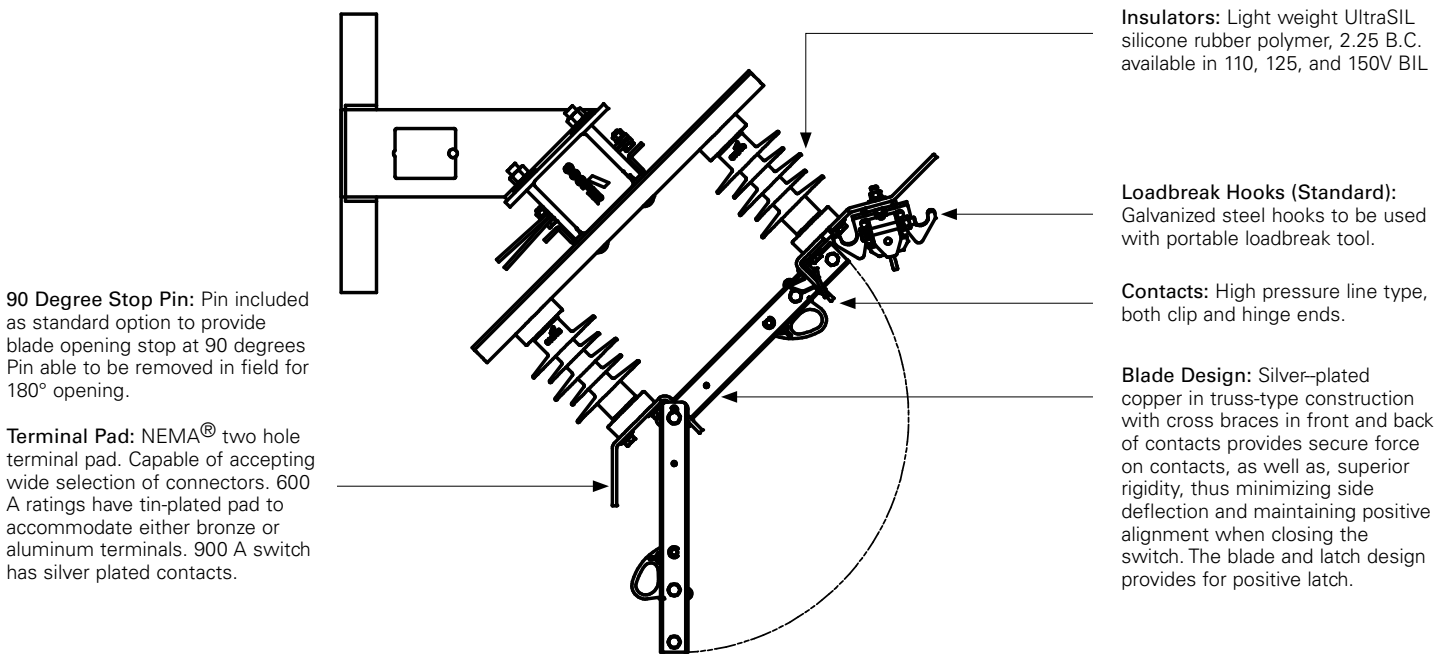
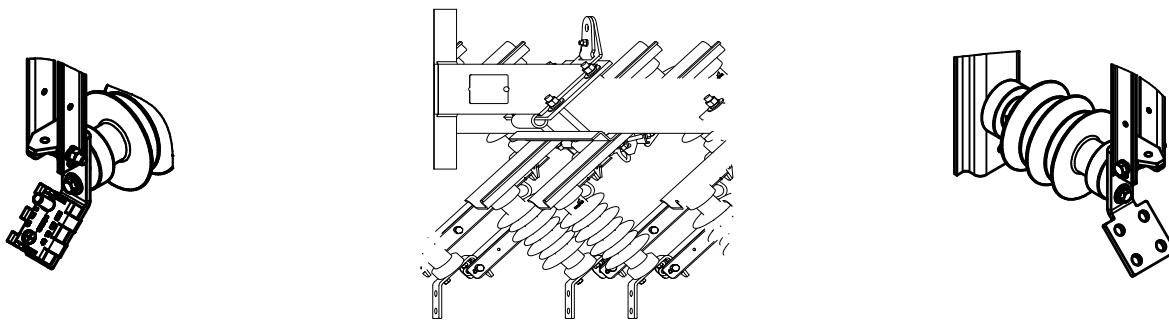


Figure 1.



Parallel groove clamp: Two-bolt tinned bronze clamp secured with two galvanized steel bolts. Conductor range: #6 solid to 397.5 MCM ASCR, 500 MCM Copper or 556 MCM Aluminum.

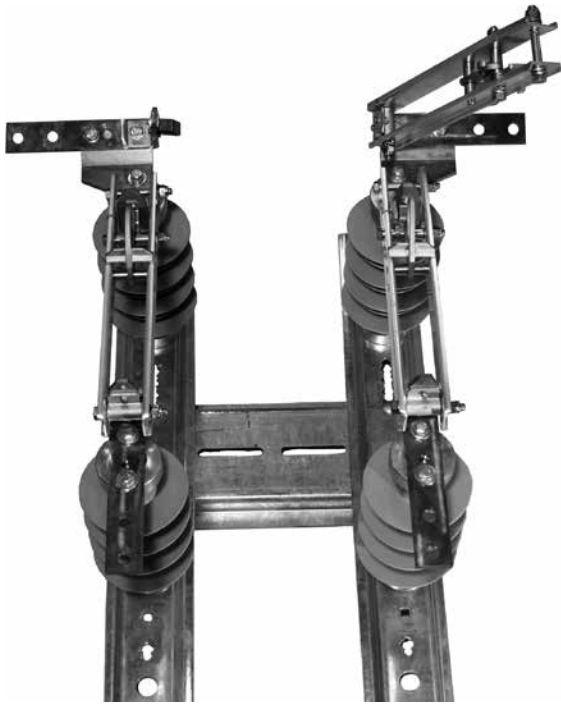
Single point lift: Single-point, center of gravity lifting bracket available for ease of installation,

4-Hole terminal pad: NEMA four hole terminal pad. Capable of accepting wide selection of connectors. See Table 1 for standard offering. 600 A ratings have tin-plated pads to accommodate either bronze or aluminum terminals. 900 A switch has silver plated contacts.

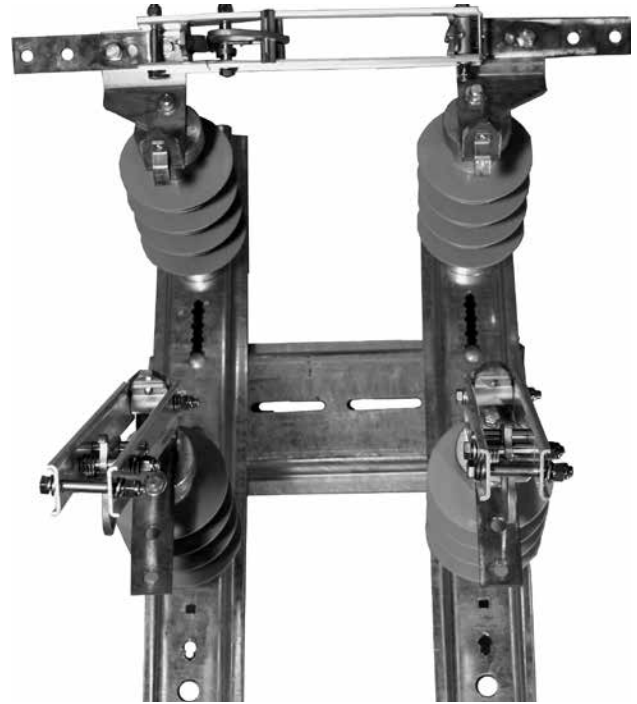
D-73P disconnect and bypass switches

Operation

In normal operation the bypass blade is open and the disconnect blades are closed (figure 2). In order to isolate or bypass a recloser to perform maintenance close the bypass blade to provide a parallel current path, then open the disconnect blades.



Normal position



Bypass position

Figure 2. D-73P3 3-pull regulator/recloser bypass switch.

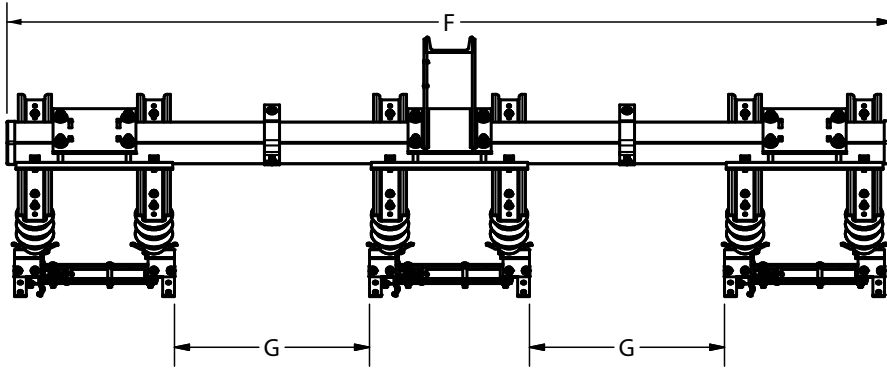


Figure 3. Top view with phase spacing

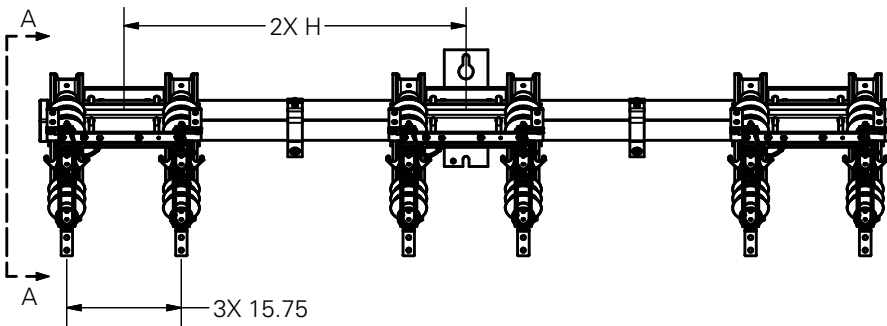


Figure 4. Front view with center-to-center spacing

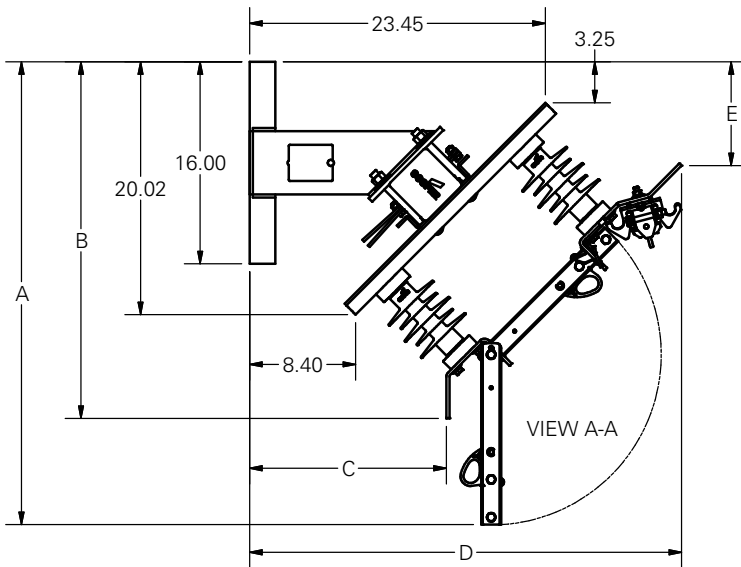


Figure 5. Side View

Table 1. Switch 15kV to 38kV

Voltage	BIL	A	B	C	D	E	F	G	H
15kV	110kV	36.65	28.24	15.60	34.27	8.22	117.19	25.82	47.00
27kV	125kV	36.65	28.24	15.60	34.27	8.22	117.19	25.82	47.00
27kV	150kV	42.25	30.96	16.20	36.99	8.82	121.19	27.82	49.00
38kV	150kV	42.25	30.96	16.20	36.99	8.82	121.19	27.82	49.00

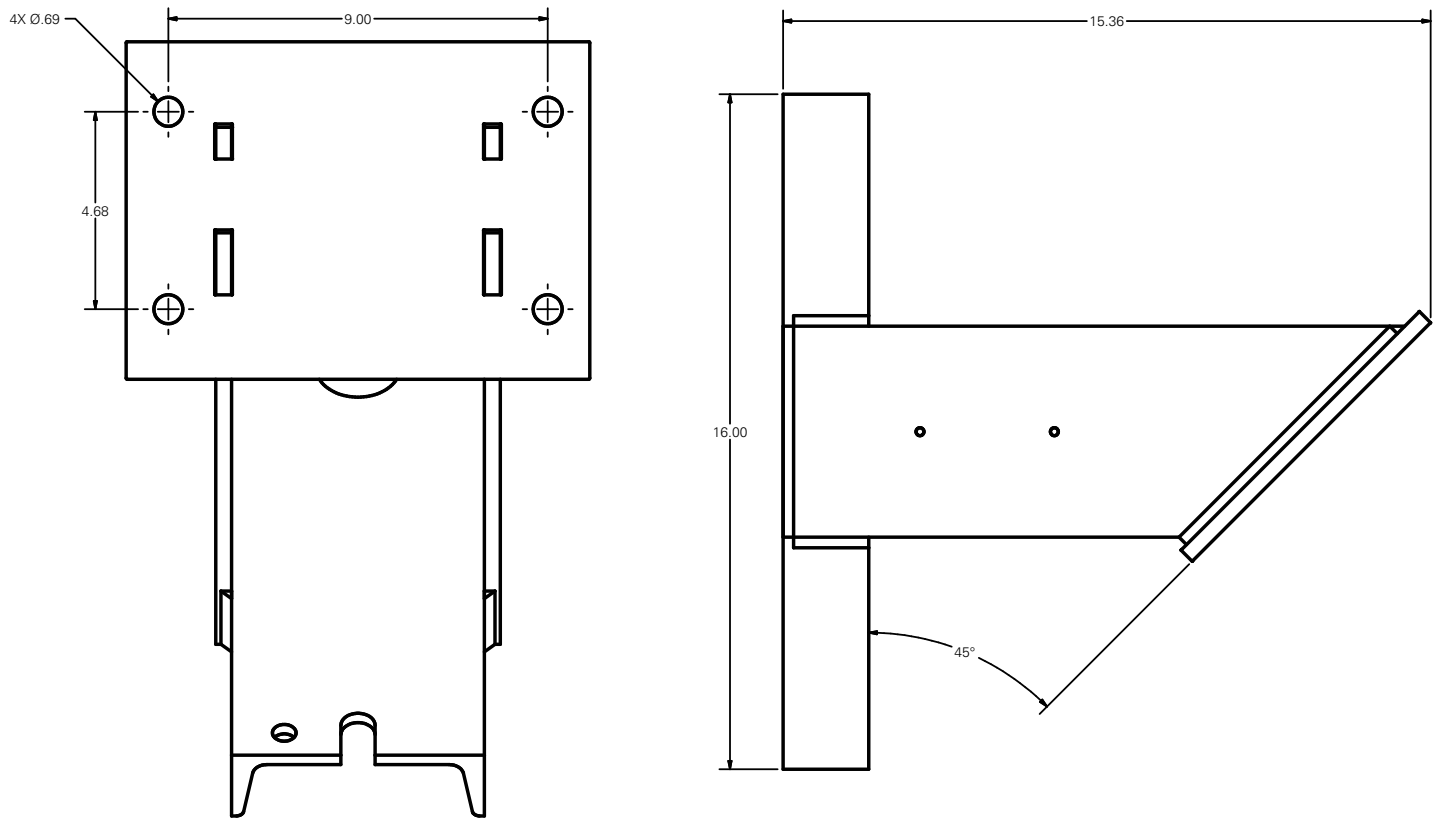
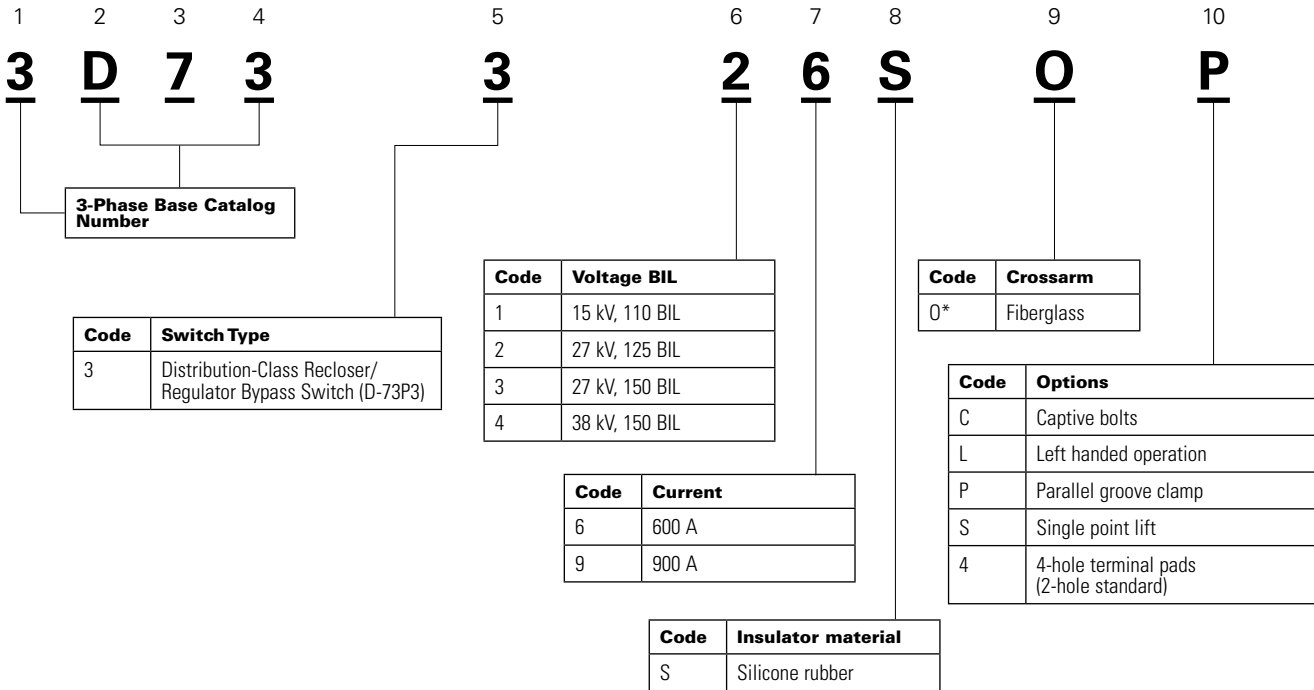


Figure 6. Pole mount bracket

Ordering information required

To order the 3D-73P bypass switch use the catalog number noted in Table 2. Modify the last two digits, as required, to adapt the unit to the specific application.

Table 2. Ordering information



Note: Leave digit 10 blank if no option is required.

Example: 600 A, 25 kV, 3D-733 disconnect switch in silicone rubber with parallel groove clamp = 3D73326S0P

This page is intentionally blank

Eaton
1000 Eaton Boulevard
Cleveland, OH 44122
United States
Eaton.com

Eaton's Power Systems Division
2300 Badger Drive
Waukesha, WI 53188
United States
Eaton.com/cooperpowerseries

© 2018 Eaton
All Rights Reserved
Printed in USA
Publication No. CA008010EN /
CSSC-1801-5119
February 2018

Eaton is a registered trademark.
All other trademarks are property
of their respective owners.

For Eaton's Cooper Power series product
information call 1-877-277-4636 or visit:
www.eaton.com/cooperpowerseries.